

**PB-V35-A – current inputs**

Submodule PB-V35 is analogue input submodule with MODPACK interface.

**Technical features**

<b>Input</b>	: 8x differential input
<b>Input range</b>	: $\pm 20$ mA
<b>Conversion time</b>	: 3,75 ms .. 375 ms
<b>Opto insulation</b>	: 500 V
<b>Conversion failure</b>	: 0,1 %
<b>Linearity failure</b>	: 0,001 %
<b>Input noise suppression</b>	: 90 dB
<b>Temperature stability</b>	: 15 ppm
<b>Oversvoltage protection</b>	: $\pm 35$ V



**Order information**

Product	Description	Order no.
PB-V35-A	$\pm 20$ mA	521

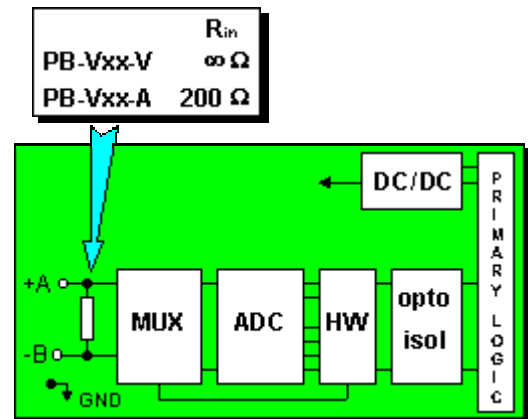


Fig. 1

*This catalogue sheet was produced on the base of data stated on Internet pages of company Unicontrols a.s.*